

Series UJ50-1000



Standard Equipment

- 5m 4-core oil resistance electric cable
- 20m wear resistance high pressure hose with steel fittings
- 1m High pressure 20Kpsi dump gun with stainless-steel lance and nozzle/rotating nozzle
- Water seal and o-ring kit
- Booster pump impeller kit
- Fuse
- Usermanual with parts list

Optional Accessories

- Extension hoses with connectors
- Electric extension cable
- Drain and pipe cleaning nozzles
- Spare part kits
- High pressure protection clothing, helmet with face shield and earmuff
- Hose protection

ULTRAJET

High Pressure Water Blaster 1000bars

ULTRAJET UJ50-1000 is a professional heavy-duty high-pressure water blaster equipped with a high-performance industrial duty pump with a heavy-duty crank shaft design, ceramic pistons and electric motors equipped with VFD or soft start panels and a wide range of input power and pressures to perform optimally for your requirements. And with its compact and simplest design – aimed to reduce the Total Cost of Ownership (TCOO). These water blasters are designed to reduce the complexity of maintenance without compromising the quality and durability for heavy duty usage under the toughest conditions.



High-pressure cleaning companies



Building sites and boatyards



Iron and steel works and mechanical engineering firms



Food-industry companies



Oil, chemical and energy companies

Series UJ50-1000

Highlights

- Heavy duty stainless steel structured frame
- Triplex tungsten carbide plunger pump
- 36KW Permanent Magnet Synchronous Motor with Super Compact Size
- Pressure regulated via VFD controlled
- Stainless steel pressure gauge with glycerin
- 2-Stage water filter system with replaceable cartridge
- Control panel with emergency Stop
- Extra-lightweight & compact size, suited for use in confined space environment

Contact us

Address:

ASEA Marine Pte Ltd
50 Tuas Ave 11, #02-31
Singapore 6309107

Phone

+65 6970 8700

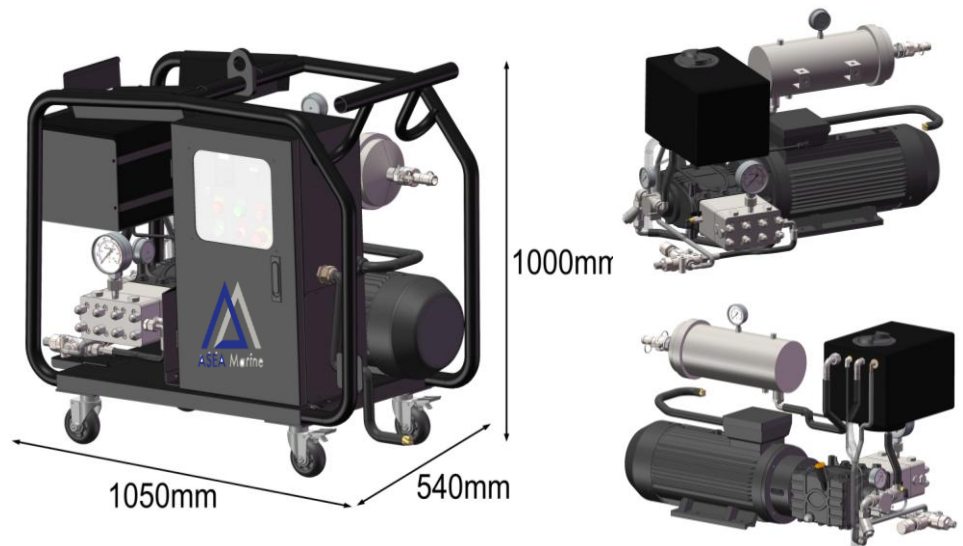
Email

sales@aseamarine.sg

Website

www.aseamarine.sg

ULTRAJET



Standard Accessories



20K PSI DUMPGUN



H.P HOSE 20M



NOZZLE

Technical Specifications

	UJ50-1000 / 15	UJ50-1000 / 18
Pump Pressure (Bar/Psi)	1000/14500	1000/14500
Flowrate (liter per minute)	15	18
Max inlet temperature (°C)	35	35
Power Voltage/phase	380V/3ph	440V/3ph
Power Frequency (hz)	50	60
Power consumption (HP/kW)	40/30	50/37
Motor Class	IP 55/F	IP 55/F
Pump RPM	1450	1750
Load Current (A)	48	54
Weight (Kg)	310	310
Dimension (mm)	1050 x 540 x 1000	1050 x 540 x 1000